

McCoy

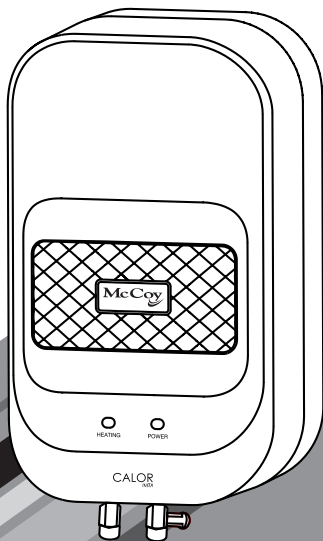
A Promise of Happiness

USE & CARE MANUAL

CALOR INSTA

Instant Water Heater

Feel the **WARMTH** of **FRESHNESS**
in every **DROP!**



3 Ltr

Dear Customer,

Thank you for choosing McCoy water heaters a world class product from Canbara Industries Pvt. Ltd. Your Choice for nothing but the best is reflected by your trust placed in McCoy.

The range of products from McCoy has changed the industry standards by setting new benchmarks in quality, aesthetics and performance.

Retain this manual safely and in case you need any assistance you may get in touch with any of our customer care centre's, the details of which are enclosed.

Kindly follow the instructions given in this manual and enjoy years of trouble free performance.

DO'S

1. To minimize killing of heating element and the tank which happens in areas with hard water drain the water from heater unit periodically have ever get this done through a qualified technician only.
2. You always get the unit serviced once in a year.
3. Use genuine spare parts when replacement is necessary.
4. In case both the lamp do not glow do not start the unit by resetting the thermal cutout instead contact the nearest authorised McCoy customer care center.
5. Always drain out the water when the unit is not in use for extended periods this prolongs the life of the element.

DON'TS

1. Safety devices like safety valve thermostat and thermal cut out etc. are preset and sensitive devices do not timepass with them this could be hazardous.
2. You do not switch on the heater till it is completely filled with water.
3. In case you observe any abnormality of operation of sound coming from inside the water immediately switch OFF the main power supply of the unit and contact the nearest authorised McCoy customer care centre.

CONTENTS

Outstanding Product Features	1
Specifications	1
Before You Begin	1
Know Your Water Heater	2
Installation	3
Plumbing	3
Operating Instructions	4
Maintenance	5
Wiring Diagram	5
Before Calling Service	6
Warranty Terms	7
Warranty Card	8

OUTSTANDING PRODUCT FEATURES

1. High Pressure with standing capacity of 8 Bar suitable for multistory buildings or for high pressure applications like usage of pressure pumps.
2. Best class heating element for higher heating efficiency/energy savings.
3. High grade stainless steel tank built to withstand high pressure.
4. High Tech thermostat/cut out for double safety.
5. Rust proof ABS body for longer life.

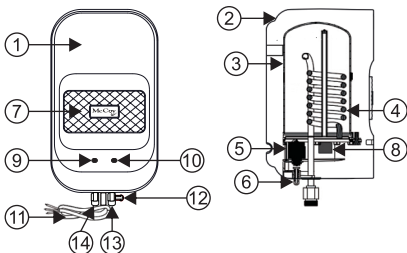
SPECIFICATION

Model	Calor Insta	
Capacity	3 Ltr	
Rated Power	3000W	4500W
Rated Voltage	230V, Single Ph, 50Hz	
Rated Pressure	8 Bar	

BEFORE YOU BEGIN

1. Read instruction carefully for mounting, plumbing, electric connection and operation.
2. Installation of the water heater should be done by a qualified technician.
3. Before installing the water heater, confirm that the power of water heater matches electric meter capacity and supply wire.
4. The water heater should be earthen properly.
5. Pressure relief device (Safety Valve) is incorporated in the appliance. Do not tamper or detach the safety valve from the water heater.
6. Before using the water heater, make sure that it should be completely filled with water. This can be ensured when water flows freely from outlet pipe. The water heater should not be operated with insufficient amount of water. Failure to do so may result in damage to the water heater & injuries to the users.
7. Once the mounting, plumbing, power connection and water filling is completed, then only power supply should be given.

KNOW YOUR WATER HEATER

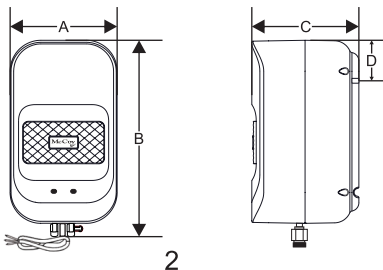


- | | |
|--------------------|---------------------------------|
| 1. Front Cover | 8. Thermostat |
| 2. Back Cover | 9. Green Lamp Heating Indicator |
| 3. Inner Container | 10. Red Lamp Power Indicator |
| 4. Heating Element | 11. Power Cable |
| 5. Thermal Cut-Out | 12. Safety Valve |
| 6. Reset Button | 13. Inlet Pipe |
| 7. Deco Cover | 14. Outlet Pipe |

Dimensions

MODEL	DIMENSIONS IN MM			
	A	B	C	D
Calor Insta	185	360	190	60

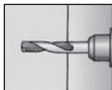
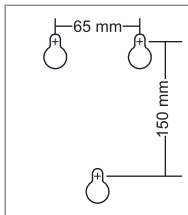
Note : Specifications and dimensions are subject to change without notice.



INSTALLATION

Mounting:

There should be sufficient space on top and sides of the water heater for easy installation & maintenance (Recommended space is 100 to 200 mm minimum). Ensure that the holes are aligned as per the schematic shown below.



Step-1:
make hole in
the wall with
a drill bit.



Step-2:
insert the
anchor in
the hole.



Step-3:
insert the screw
and mount the
geyser

PLUMBING

1. Use Nylon or SS braided hoses which are meant for hot water applications and which will withstand 8 bar pressure.
2. Connect the cold water line to the INLET (Marked as IN blue)
3. Connect the hot water line to the OUTLET (Marked as OUT in red)

OPERATING INSTRUCTIONS

Now your water heater can be made ready usage by following steps:

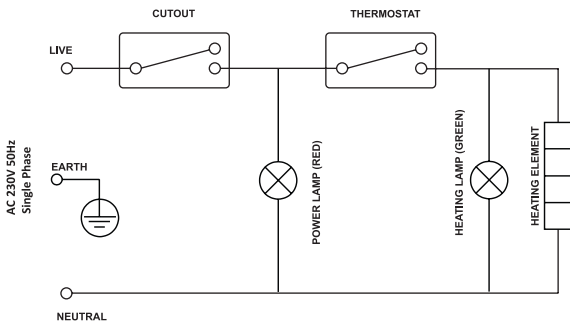
1. Open the hot water cock to remove the air that is present in the water heater.
2. Open the cold water cock to allow the water to enter water heater. During this period do not close hot water cock as it allows the air inside the tank to escape while water level in the tank increases.
3. When the tank is completely filled, the water starts coming out of Hot water cock. Allow some water to flow freely and then close the outlet cock.
4. Now insert the plug into the socket.
5. Switch on the water heater. Now you can see both green and red light glowing. Green light is meant for 'heating' status and red light for 'power' status.
6. Once the water heater has attained pre determined temperature the green lamp turns OFF automatically.
7. Now hot water is ready for usage. When hot water is withdrawn cold water enters the tank and when the temperature falls below a predetermined temperature the water heater again starts heating.

MAINTENANCE

1. The tank & heating element need to be cleaned for any deposits/scales periodically from a qualified technician. This will ensure your water heater works efficiently for a long time.
2. When the tank is completely filled, the water starts coming out of Hot water cock. Allow some water to flow freely and then close the outlet cock.

WIRING DIAGRAM

1. Refer wiring diagram to check electrical connections. Ensure proper earthing at 3 pin supply point.
2. The circuit breaker should have minimum contact separation of 3 mm.



Note: Specification are subject to change without notice.

Warning: Do not switch on the water heater if there is possibility that water in the heater is frozen.

TROUBLE SHOOTING

WHAT YOU EXPERIENCE	WHAT IT MEANS	WHAT YOU SHOULD DO		
Water not coming out	Inlet Cock is closed	Open inlet cock		
	No water in the overhead tank	Fill the overheated tank if it is too low		
Water coming out of water heater is not hot	<ul style="list-style-type: none"> • No power supply to unit • Cutout operated • Temperature setting too low • Heating element malfunction 	Check lamp indication		
		Green	Red	Action
		Off	Off	Check power supply. if it is ok, call McCoy customer care
Water leakage.	Tank or any part of water heater leaking.	Call McCoy customer care		
Water dripping from the safety valve drain hole	The pressure inside the tank has reached the operating pressure of tank (8bar)	This is normal phenomenon during heating where inlet pressure is high. This can be arrested as mentioned in the section of installation-plumbing.		

WARRANTY TERMS

1. Your water heater is warranted against defects arising from faulty design, workmanship and materials for a period of 2 years from the date of your purchase invoice.
2. In addition to the above, inner container is having an additional 5 years warranty.
3. The customer should notify the company promptly about defects noticed and give the company or its authorised service provider adequate opportunity to inspect, test and rectify them, for which the customer will deposit the goods, if necessary, with the company's office/authorised service provider along with the original invoice.
4. The warranty is valid subject to installation as per instruction manual and the conditions stated there in.
5. The warranty will not be applicable if the product has been tampered with or altered in any way or has been subjected to misuse, negligence or accident.
6. In case of installation at inaccessible places such as above false ceiling, inside a duct etc., it is the responsibility of the customer to dismount product and make it available to service personal.
7. Under the terms of warranty period free service will be provided only within the municipal limits of the cities/towns where the company has its branches or authorized representatives. Service outside the municipal limits specified above will be provided after charging the actual to and fro traveling and incidental expenses, as prevailing from time to time.

This warranty card if not completed, signed and stamped by the dealer from whom the appliance is purchased will be treated as invalid.

Force majeure : The company cannot be held liable in any manner for non availability of services of the said product on account of strikes, lock-outs, major labour problems, non-availability of essential raw materials, government regulations, civil commotion, riots and acts of God.

Jurisdiction : For all the disputes/differences arising out of these presents, the courts of Mumbai alone shall have jurisdiction.



Bill No. _____ Date _____

Name of the Purchaser _____

Address _____

Phone No. _____

Name & Address of the Dealer with Stamp

Signature of Dealer

Customer Care: 022 28530234/35/36/37

Email: customercare@mccoyindia.in

Whatsapp Helpline: 82191270276



Toll Free No.: 1800 22 0276



Marketed by:

CANBARA INDUSTRIES PVT. LTD.

SSAS Complex, Lekhraj Devraj Industrial Estate,
Kherani Road, Sakinaka, Andheri (E), Mumbai - 400 072, INDIA

Follow us @McCoy Appliances



Disclaimer: Due to continuous development the features & Specification may change without prior notice.

www.mccoyindia.in