

SERVICE CENTER ACROSS INDIA

Sr. No.	City / Town	Sr. No.	City / Town	Sr. No.	City / Town	
Maharashtra			Madhya Pradesh			
1	Ahmednagar	1	Bhopal	1	Asansol	
2	Akola	2	Dhar	2	Bankura	
3	Aurangabad	3	Gwalior	3	Hoogli	
4	Dhule	4	Indore	4	Howrah	
5	Jalgaon	5	Jabalpur	5	Kolkata	
6	Jalna	6	Katni	6	Malda	
7	Karad	7	Ratlam	7	Purulia	
8	Kolhapur	8	Sagar	8	Siliguri	
9	Nagpur	9	Satna	Andhra Pradesh / Telangana		
10	Nanded	10	Ujjain	1	Adilabad	
11	Nandurbar / Pimpalnar	Haryana		2	Ananthapur	
12	Nasik	1	Bhiwani	3	Begampet (Hyderabad)	
13	Pimpri Chichwad	2	Bhadurgarh / Jajjar	4	East Godhavari	
14	Pune	3	Faridabad	5	Guntur	
15	Raigad	4	Gurgaon	6	Hyderabad	
16	Ratnagiri	5	Khathal/Yamuna Nagar/Karnal	7	Kadapa	
17	Sangli	6	Kuruksheetra / Ambala	8	Khammam	
18	Sindhudurg / Kudal	7	Mahendergad	9	Kharim Nagar	
19	Solapur	8	Rewari	10	Kukat Pali (Hyderabad)	
20	Uaruli Kanchan / Baramati	9	Rohtak / Jind / Bhiwani	11	Kurnool	
21	Yavatmal	10	Sirsa	12	Malkaigiri (Hyderabad)	
Mumbai			11	Sonipat	13	Mansoorabad
1	Kalyan	Punjab		14	Nalgonda	
2	South Mumbai	1	Amritsar	15	Nizamabad	
3	West Mumbai	2	Ferozepur	16	Old City (Hyderabad)	
4	Navi Mumbai	3	Ludhiana	17	Ongolu	
Goa			4	Mandi	18	Secunderabad
1	Goa	5	Pathankot	19	Srikakulam	
Gujarat			6	Una	20	Tirupati
1	Ahmedabad East	J&K		21	Vijayawada	
2	Ahmedabad West	1	Jammu	22	Vijyanagaram	
3	Anand	Uttar Pradesh		23	Vishakapatnam	
4	Ankleshwar	1	Allahabad	24	Warangal	
5	Baroda	2	Baireilly	25	West Godhavri	
6	Bhavnagar / Amreli	3	Deoria	Karnataka		
7	Bhuj	4	Ghaziabad	1	Bengaluru	
8	Gandhinagar	5	Kanpur	2	Bellary	
9	Godhra	6	Lucknow	3	Bijapur	
10	Himatnagar	7	Varansi	4	Gulbarga	
11	Jamnagar	Uttarakhand		5	Hubli	
12	Mehsana	1	Dehradun	6	Tumkur	
13	Palanpur	2	Kashipur	7	Udipi	
14	Rajkot	Orissa		Kerala		
15	Surat / Vapi	1	Balanaguzha	1	Alappuzha	
Rajasthan			2	Berhampur	2	Idukki
1	Ajmer	3	Bhubhanshwar	3	Kannur	
2	Bikaner	4	Jeyapore	4	Kasargod	
3	Ganganagar	5	Nayagad	5	Kochi	
4	Jodhpur	6	Sambalpur	6	Kollam	
5	Jaipur	Bihar		7	Kottayam	
6	Kota	1	Patna	8	Kozhikode	
7	Pali	2	Purnia	9	Mallapuram	
8	Sikar	Jharkhand		10	Palkkad	
9	Udaipur	1	Jamshedpur	11	Pathanamthitta	
Delhi			2	Ranchi	12	Thiruvananthapuram
1	East & Central Delhi	Tamil Nadu		13	Thirissur	
2	North Delhi	1	Chennai	14	Wayanad	
3	South Delhi	2	Madurai			
4	West Delhi					

WARRANTY

The **McCoy Fan**, purchased directly from the company or from any of the authorized dealers, is warranted against manufacturing defects for a period of 2 years from date of original purchase. Kindly preserve this warranty card along with original purchase invoice/bill to avail free service within warranty period. Company's list price will be changed for worn out, broken or damaged parts.

The warranty shall not apply:

- If installation of fan & accessories is not done as per instructions provided separately or on the Primary Carton itself.
- For the damage/personal injury or death arising due to improper installation which is not in accordance with the instruction provided therein.
- For the damage resulting from accident, attempted repairs, mishandling or negligence on the part of the customer or unauthorized persons.
- For normal wear & tear, ageing effect or chipping, peeling off or any other damage to the painted, plated, metallized or plastic parts.
- For the damage resulting due to fan installed/operated in abnormal or hostile environment or due to water leakage from ceiling.
- For humming noise generated an/or any damage fan and/or components due to usage with an electronic regulator of any make.
- For the damage resulting due to usage of the power supply other than specified 230 Volts 50 Hz AC main. e.g. Invertors, generators etc.
- If parts/accessories supplied with the product are not used and/or if unauthorized parts accessories are used.

ix. On electroplated finish / coating.

Note:

- Company will not be held responsible for any delay in servicing due to non-availability of any components or due to any reasons beyond the control of the company.
- This warranty is in lieu of all other guarantees / warranties, expressed or implied and does not cover any kind of consequential damage.
- In no case our liability under this warranty will exceed the value of the product.
- Ensure proper fitting of screws, bolts, nuts, washers etc. during installation. Inspect the installation at periodic intervals to ensure trouble free working.

Force majeure: The company is not to be held liable in any manner for the services of the said product on account of strikes, lock-outs, major labour problems, non-availability of essential raw materials, government regulations, civil commotion, riots and acts of God.

Jurisdiction : For all the disputes/differences arising out of these presents, the courts of Mumbai alone shall have jurisdiction.

WARRANTY CARD

Model:

Zest 16T

Zest 16P

Zest 16W

Bill No. _____

Date _____

Name of the Purchaser _____

Address _____

Phone No. _____ Product Sl. No. _____

McCoy
A Promise of Happiness

Name & Address of the Dealer with Stamp

Signature of Dealer

This warranty is not valid if above information is not duly filled in.

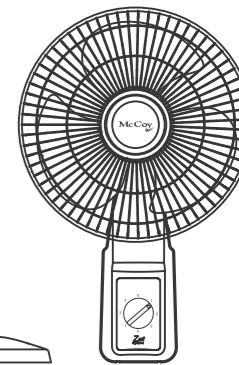
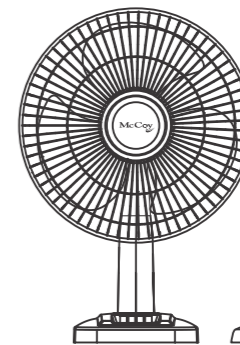
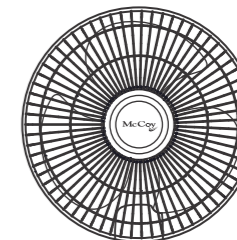
Whatsapp Helpline
: 8291270276

Toll Free No.:
1800 22 0276

Customer Care Tel: 022 28530234 / 35 / 36 / 37
Email: customercare@mccoyindia.in
Website: www.mccoyindia.in

McCoy
A Promise of Happiness

INSTALLATION MANUAL CUM WARRANTY CARD



Model: Zest 16T

Model: Zest 16P

Model: Zest 16W

Zest

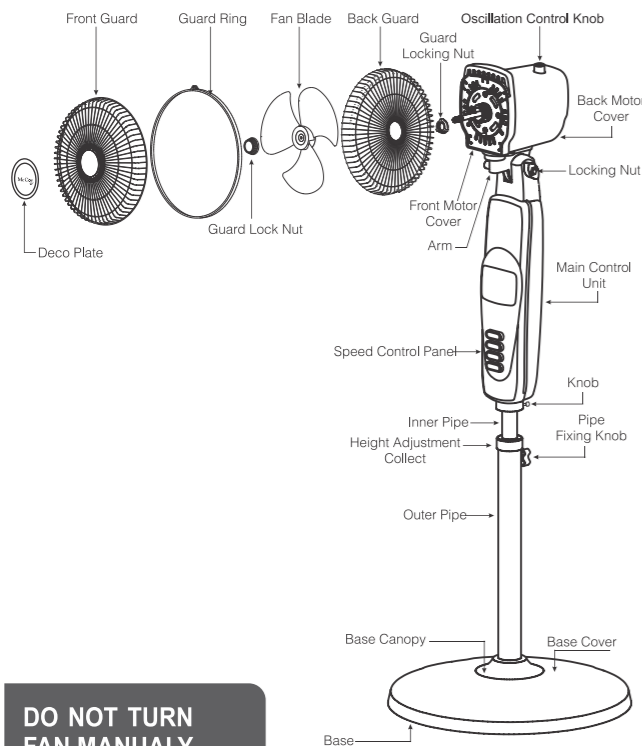
400mm
High Speed

2 YEAR
PRODUCT
WARRANTY*

Please read the instruction manual carefully before use and safekeeping.

ASSEMBLY DIAGRAM

Zest
Pedestal Fan

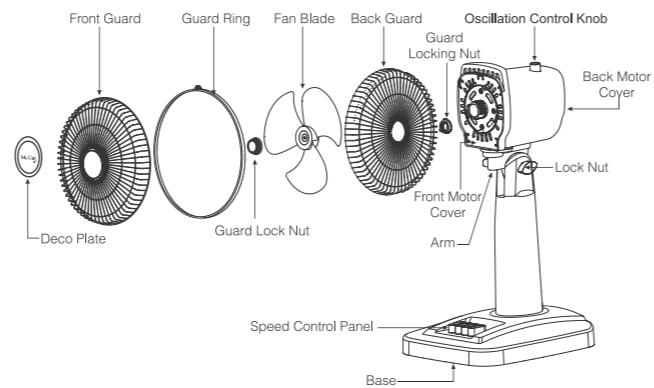


DO NOT TURN FAN MANUALLY

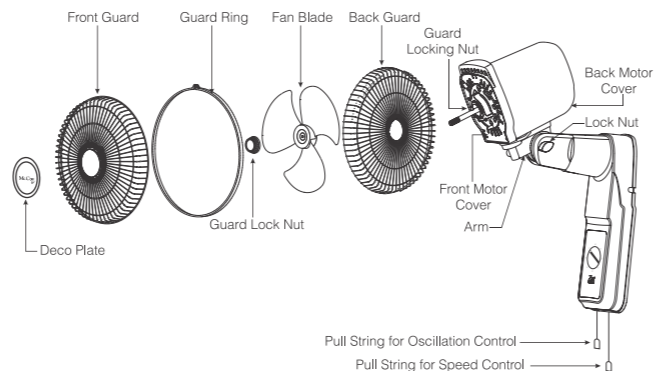
1. SWITCH ON THE FAN, TURN ON THE OSCILLATION
2. WAIT FOR THE FAN TO TURN TO DESIRED ANGLE
3. SWITCH OFF THE OSCILLATION

ASSEMBLY DIAGRAM

Zest
Table Fan



Zest
Wall Fan



ASSEMBLY INSTRUCTIONS

ASSEMBLY INSTRUCTION FOR BLADES, GRILL WITH MAIN CONTROL UNIT

- Take out motor assembly along with the main control unit.
- Unscrew the Blade lock nut clockwise and the guard lock nut counter-clockwise. Then remove both of them.
- Take out Blade Guards assembly. Take Back Guard & mount it on Front motor cover. Ensure that the handle provided on back guard is up.
- Screw the Guard lock nut tightly to fix the back guard on Front motor cover.
- Install the blade on to the motor shaft by aligning and pushing blade slots until it reaches the retaining pin.
- Screw the Blade lock nut on motor shaft by rotating it in Anticlockwise direction.
- Slightly loosen the screw provided in guard ring & slide the Guard ring on the back guard.
- Take the front guard & place it in the second slot provided in the Guard ring. Ensure that "McCoy" logo on the guard label in upright position.
- Secure both guards firmly by tightening the screw provided in the guard ring.

ASSEMBLY OF PEDESTAL FAN

- Take out Base & Pipe assembly from the box.
- Unscrew the bolt provided at bottom of Base pipe. Insert pipe assembly into the base slot & fix it to base using the bolt & washer. Tighten Fully.
- Take out the inner pipe from the pipe assembly. Tighten the Pipe using fixing knob after adjusting the inner pipe at suitable height.
- Mount main control unit along with motor, blade and grill assembly on top of the inner pipe. Tighten the main control unit over inner pipe using knob. Tighten fully.

Note: Always use on a dry stable surface.

ASSEMBLY OF TABLE FAN

- Place the already assembled fan on a flat surface

Note: Always use on a dry stable surface.

ASSEMBLY OF WALL FAN

- Attach the mounting bracket firmly to the wall.
- Mount the wall fan to the bracket by the clamp from behind the fan base plate.

Note:

1. Do not mount on ceiling.
2. Do not mount on an incline.
3. Do not mount on an angle.
4. Make sure the power cord does not get pinched.

OPERATING INSTRUCTIONS OF PEDESTAL & TABLE FAN

- Plug the power supply cord into the wall outlet for 230V, 50Hz AC Supply. Speed is controlled by the Piano switch knobs.
- To start the fan oscillation, push down the oscillation knob. To stop the oscillation Push the oscillation knob again.
- The air flow can be adjusted upward or downward by pushing the guard lightly to the desired angle by using locking nut.

OPERATING INSTRUCTIONS OF WALL FAN

- Plug the power supply cord into the wall outlet for 230V, 50Hz AC Supply.
- Adjust the desired speed by pulling the speed string.
- To start or stop the fan oscillation, pull the oscillation string.
- The air flow can be adjusted upward or downward by pushing the guard lightly to the desired angle by using locking nut.

SAFETY INSTRUCTIONS

- Use fan only as directed in these instructions. Failure to do so may cause fire electrical shock or injury.
- To protect against electric shock, do not immerse unit, put plug or cord in water or spray with liquids. Never allow water to drip into the motor housing.
- This fan is intended for household use only and not for commercial or industrial use.
- Disconnect fan from outlet when not in use, when moving fan or before cleaning, maintenance.
- Do not operate in the presence of explosive and/or flammable fumes.
- Do not place fan or any parts near an open flame, cooking or other heating appliance.
- Do not operate without fan grills properly in place.
- Complete the assembly of the fan before switching on the fan.
- Disconnect the fan before moving from one location to another.
- Never insert fingers, pencils, or any other object through the guard when the fan is running.
- Do not use the fan near open window. Rain water may cause electrical hazards.
- Do not bump the guard or blades against anything, the deformation of the angles of the blades is liable to cause multifunction.
- When removing or carrying the fan, be sure to take hold of the handle or stand.
- Do not tilt or index the fan when in operation.
- Children should be supervised to ensure that they do not play with the appliances.

CLEANING

- Be sure to unplug the electrical supply before cleaning. Disconnect the fan before removing guards for cleaning.
- To disassemble each part, reverse the order of assembly.
- Plastic parts should be cleaned with damp cloth or sponge. Be sure water or other liquid do not enter inside the motor.